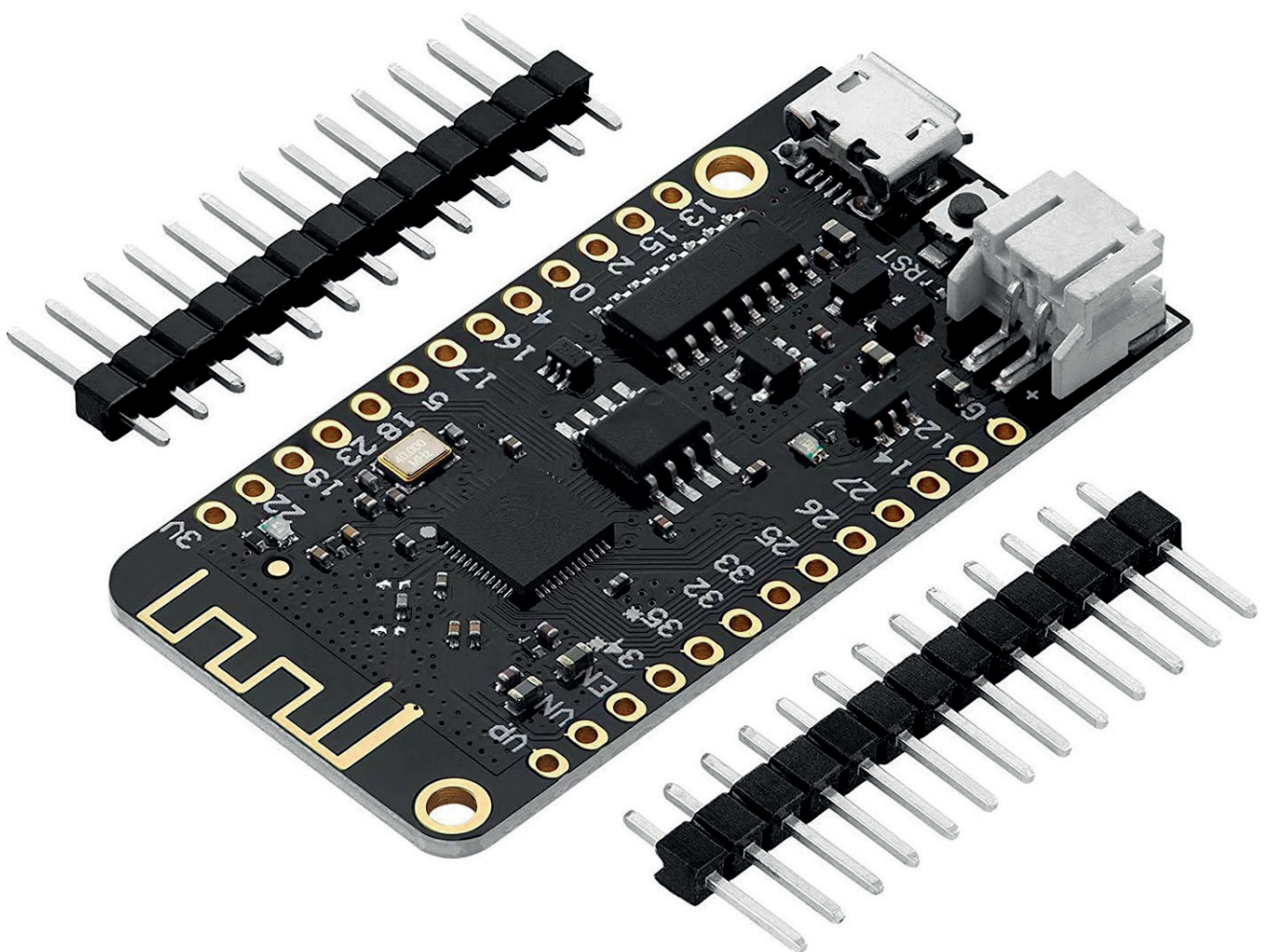


ESP32 Lolin32 Datenblatt



Content:

[1. Specifications](#)

[2. Pinout](#)

1. Specifications

Power supply: 2.2V to 3.6V

Operating voltage: 3.3V

Logic level: 3.3V

Mounting holes diameter: 2 holes, 3mm diameter

Integrated 802.11 BGN WiFi transceiver

Integrated dual-mode Bluetooth

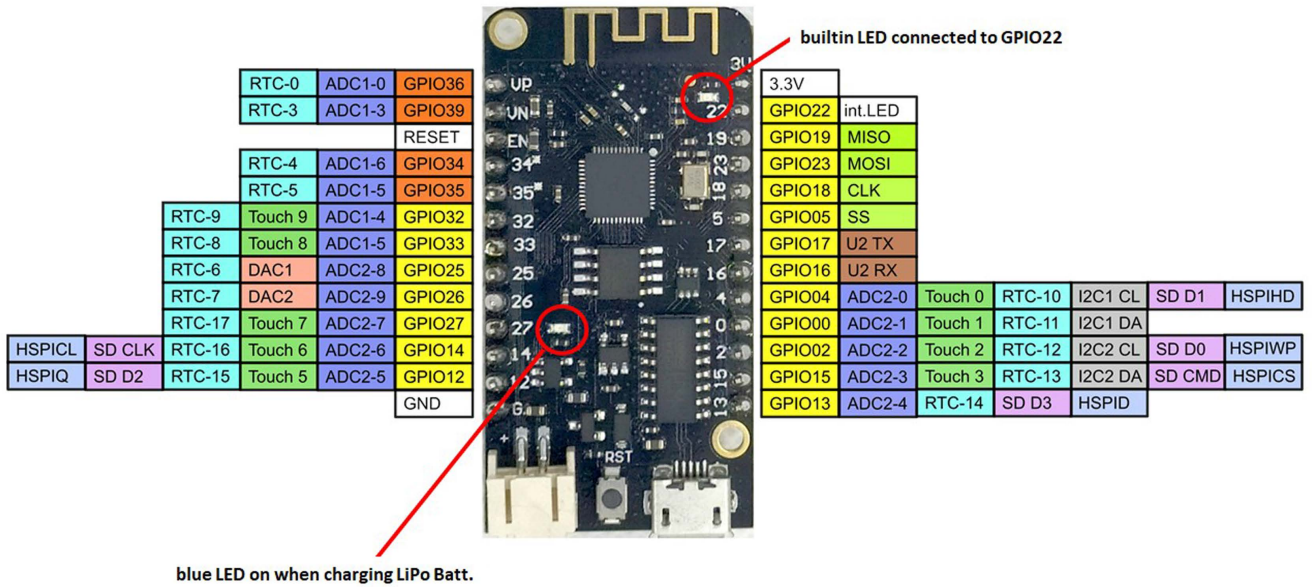
4MB Flash Memory

Maximum serial baud rate: 256000bps

Dimensions: 50mm x 25mm (1.97in x 0.98in)

Connector for LiPo Batt: JST-PH 2.0mm

2. Pinout



AZ-Delivery

Ihr Experte für Mikroelektronik!

For top quality microelectronics, we are your go to. We provide an array of application examples, full installation guides, eBooks, libraries, and all-round assistance. AZ-Delivery, your microelectronics expert!